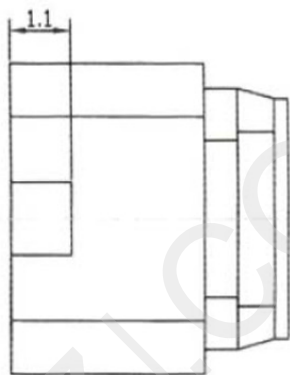
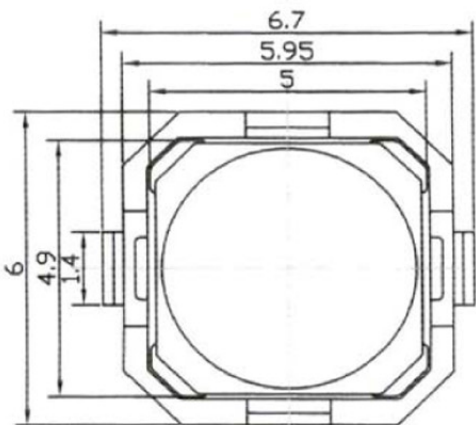
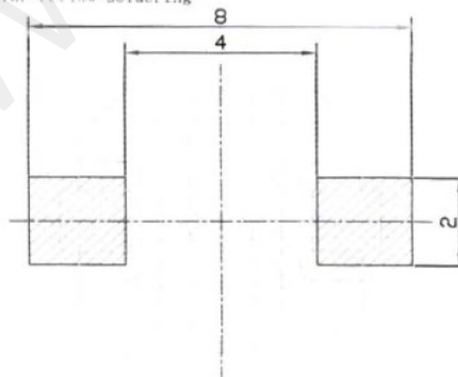


CIRCUIT DIAGRAM



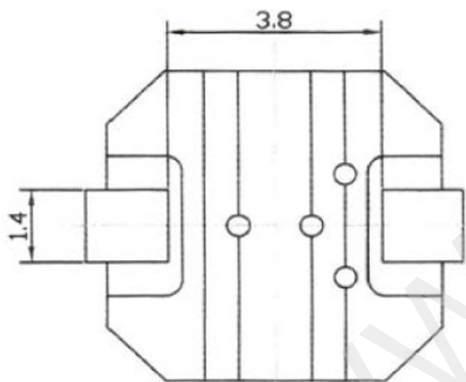
P. C. B MOUNTING PATTERN DIMENSION

the following soldering are recommended for reflow soldering



技术参数

NO	项目	参数
1	额定电流	16V DC 50mA
2	接触电阻	100mΩ
3	按 力	260±50gf
4	行 程	1.3 ^{+0.2} _{-0.3} mm
5	绝缘电阻	100MΩ
6	抗电强度	100V 50Hz 1Min
7	寿 命	100000 cyc



深圳市华宇创精密电子有限公司

TOLERANCE: X.X ±0.30 X.XX ±0.25 X.XXX ±0.15 X' ±2' X.X' ±0.5'	DRAWN BY : 陈一鸣	DATE : 2014-02-23	PART NAME: 6x6x5 无声开关	
	CHECKED BY: 马跃	DATE : 2014-02-23	PART NO. HYC-S6605K	MOLD NO.
UNIT: mm [inch] SCALE:1:1 SIZE: A4	APPROVED BY: 邱国夷	DATE : 2014-02-23	DRAW NO: HYC-AJ17122815	SHEET NO. 1 OF 1